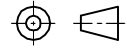


SOURCE DRAWING - FOR REFERENCE ONLY

NOTES:
1. "/CS12425" DESIGNATES CUSTOM WIRING AND PINOUT MINIFAST "H" SPLITTER.

RELATED DOCUMENTS 1. 2. 3. 4.		3RD ANGLE PROJECTION 		THIS DRAWING IS CONFIDENTIAL AND THE PROPERTY OF TURCK INC. USE OF THIS DOCUMENT WITHOUT WRITTEN PERMISSION IS PROHIBITED.		<div style="text-align: center;"> TURCK IAC <i>High Technology Sensors and Automation Controls</i> </div>		3000 CAMPUS DRIVE MINNEAPOLIS, MN 55441 1-800-544-7769 (763) 553-7300 (763) 553-0708 fax turck.com			
								DRFT	RDS	DATE	06/25/09
MATERIAL SEE SPECIFICATIONS		ALL DIMENSIONS DISPLAYED ON THIS DRAWING ARE FOR REFERENCE ONLY		APVD	E.S.	SCALE	1=1.5	IDENTIFICATION NO. U2-16112		REV	A
				FINISH SEE SPECIFICATIONS		CONTACT TURCK FOR MORE INFORMATION				UNIT OF MEASUREMENT MILLIMETERS	

A	DRAWING RELEASE	TR	03/14/14	
REV	DESCRIPTION	BY	DATE	ECO NO.